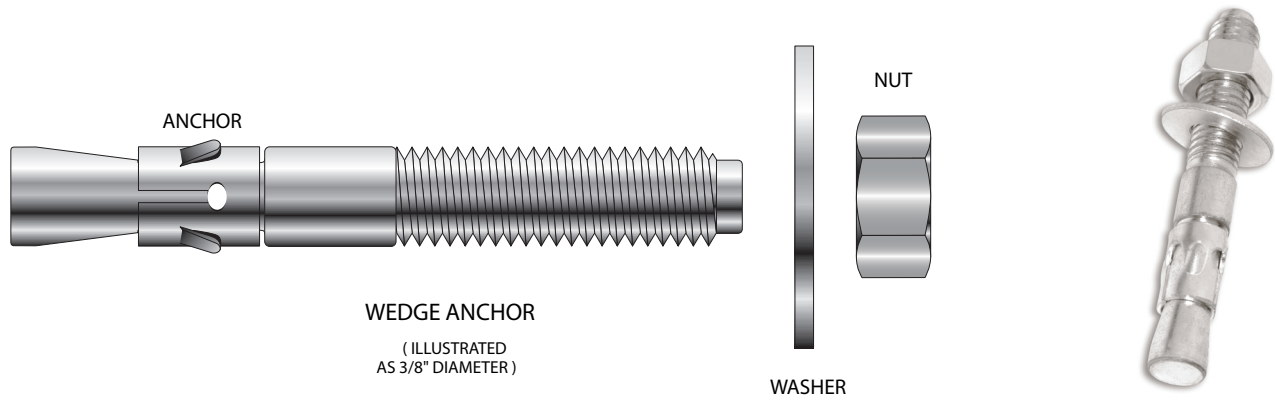


# Wedge Anchor



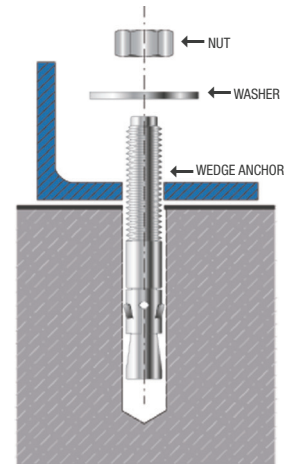
## PERFORMANCE DATA

- Wedge anchors are carbon steel with zinc plating.
- Applications include attaching base angle to concrete as well as other equipment subject to vibration or extreme movement.
- The hole diameter drilled with a carbide masonry bit is equal to the diameter of the anchor installed
- Expansion cone provides full 360 degree contact with the concrete, allowing maximum pull out strength.

SIZE	CASE QTY.	CARTON QTY.	WEIGHT/M
3/8 x 3"	50	200	10.8
3/8 x 3-3/4"	50	200	12.5
1/2 x 2-3/4"	25	100	19.0
1/2 x 3-3/4"	25	100	24.4
1/2 x 4-1/4"	25	100	26.0
5/8 x 4-1/2"	10	40	22.5
5/8 x 6"	10	40	59.0
3/4 x 5-1/2"	10	40	81.0
3/4 x 7"	10	40	99.0
3/4 x 10"	10	20	140.0

**NOTES:** 1. An appropriate factor of safety must be applied to the above ultimate values to determine the allowable loads for design purposes.

	ANCHOR AND HOLE SIZE (INCHES)	400 PSI CONCRETE			600 PSI CONCRETE		
		EMBEDMENT DEPTH (IN)	TENSION (LBS)	SHEAR (LBS)	EMBEDMENT DEPTH (IN)	TENSION (LBS)	SHEAR (LBS)
<b>MAXIMUM TENSILE CAPACITY FOR STATIC LOADS</b>  <b>CARBON STEEL ANCHORS</b>	1/4"	1-1/4"	2000	2811	1-1/4"	2042	2811
		2-1/2"	2600	2811	2-1/2"	2826	2811
	3/8"	1-3/4"	3850	3075	1-3/4"	4790	3075
		5-5/8"	6020	4227	5-5/8"	6635	4227
	1/2"	2-1/8"	6324	6260	2-1/8"	7540	6260
		6-1/4"	8249	7516	6-1/4"	10713	7516
	5/8"	2-5/8"	9527	9760	2-5/8"	10597	9760
		6"	15893	11743	6"	16705	11743
3/4"	3-3/4"	13130	15860	3-3/4"	18979	15860	
	7-7/8"	19795	23817	7-7/8"	24145	23817	
7/8"	4"	18591	24000	4"	19945	24000	
	8"	27484	25710	8"	33113	25710	
1"	5"	26676	32494	5"	30683	32494	
	9"	36171	36896	9"	36171	36896	
1-1/4"	5-5/8"	28733	46976	5-5/8"	28733	46975	
	10"	50390	46975	10"	50390	46975	



www.sealtite.com

6357 Reynolds Road  
 P.O. Box 4515, Tyler, Texas 75712  
 800-352-4864 • 800-352-3940 Fax  
 903-592-2826 • 903-592-1583 Fax

9950 Princeton Glendale Rd.  
 Cincinnati, OH 45246  
 800-944-8920 • 800-944-4183 Fax  
 513-874-5905 • 513-874-5903 Fax